

# INNOVA T

## Tank Bottom Double Seat Valve



### APPLICATION

The INNOVA T mixproof valve is a double seat pneumatic shut-off valve designed specifically for use in tanks and vats used for hygienic applications. A leak detection chamber under atmospheric pressure formed between both seats ensures that two different products are safely separated, one of which is usually CIP (cleaning agent). The INNOVA T valve has two seats that form a leak detection chamber at atmosphere pressure for every type of operating condition. This means that any leaked product will enter the leak detection chamber before being discharged through the leak outlet. The leak detection chamber is closed when the valve is open, enabling the product to transfer from the tank to the pipes. This chamber is closed to the process when the valve is open, enabling the product to transfer from the tank to the pipes. Additionally, the valve can be cleaned to any level depending on the process.

### DESIGN AND FEATURES

- No leakage during the opening/closing of the valve.
- Single-acting pneumatic actuator.
- Easy disassembly of internal parts by loosening a clamp fastener.
- Open lantern allows visual inspection of shaft sealing.

### TECHNICAL SPECIFICATIONS

#### Materials

Parts in contact with the product	1.4404 (AISI 316L)
Other stainless steel parts	1.4301 (AISI 304)
Gasket in contact with the product	EPDM

#### Surface finish

Internal	Polished $Ra \leq 0,8 \mu m$
External	Matt

#### Available sizes

DIN EN 10357 series A (previously DIN 11850 series 2)	DN 40 - DN 100
ASTM A269/270 (corresponds to OD pipe)	OD 1½" - OD 4"

**Connections**

Weld

**Operating limit**

Maximum working temperature	121°C	250°F
Temperature SIP	140°C (30 minutos máximo)	284°F
Maximum working pressure	1000 kPa (10 bar)	145 PSI
Minimum working pressure	Vacuum	Vacuum
Compressed air pressure	6 - 8 bar	87 - 116 PSI

**OPTIONS**

Gaskets: FPM, HNBR.

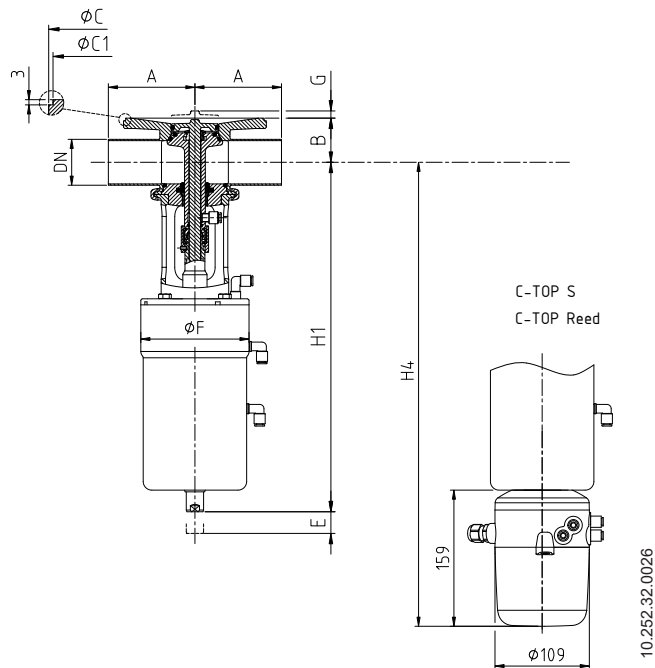
Other connection types.

Control unit.

External position sensors.

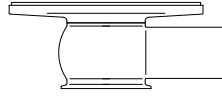
Internal surface finish: Ra &lt; 0,5 µm.

Bodies with heating jacket.

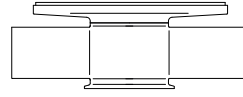
**DIMENSIONES**

	DN	Pipe	A	B	C	C1	E	ØF	G	H1	H4	kg
DIN	40	41,0 x 1,50	85	45	155	150	22	125	4	396	527	14
	50	53,0 x 1,50	100	51	165	160	22	125	5	406	537	15
	65	70,0 x 2,00	110	62	195	190	34	161	7,5	477	596	25
	80	85,0 x 2,00	125	70,5	215	210	34	161	6,5	483	602	27
	100	104 x 2,00	178	82,5	255	250	52	193	6,5	546	673	39
OD	1½"	38,1 x 1,65	85	43	155	150	22	125	4	399	530	14
	2"	50,8 x 1,65	100	50	165	160	22	125	5	408	539	15
	2½"	63,5 x 1,65	110	59	195	190	34	161	7,5	480	599	25
	3"	76,2 x 1,65	125	66	215	210	34	161	6,5	487	606	27
	4"	101,6 x 2,11	178	81	255	250	52	193	6,5	547	674	39

## COMBINACIONES DE CUERPOS



L



T

10.252.32.0025